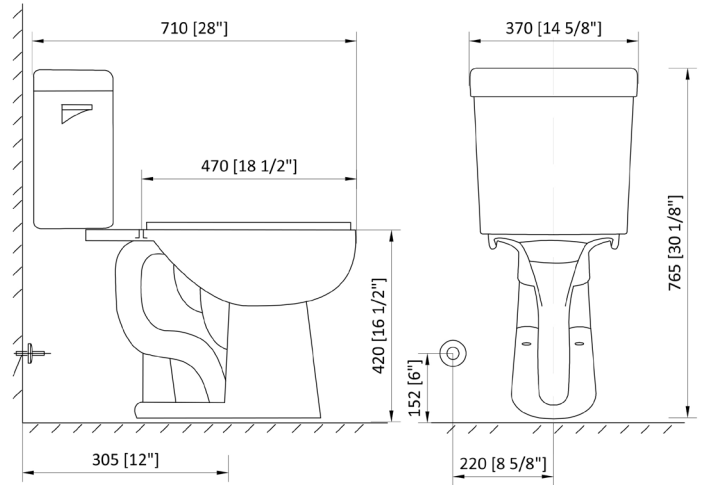


# NESS

## NBMU-2062 ADA



### FEATURES

- Vitreous China
- Two-Piece contemporary design
- 2" fully glazed trapway
- 12"/305mm rough-in
- Siphonic – Side Flush
- 1.28 GPF / 4.8L / HET
- ADA compliant seat height

### SUPPLIED COMPONENTS

- Seat w/lid (soft-close)
- Tank cover
- Flush actuator
- Wax ring
- Floor installation kit

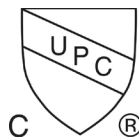
### NOMINAL DIMENSIONS

710 x 370 x 765mm  
(28" x 14-1/2" x 30-1/8")

### CODES AND STANDARDS

Meets or exceeds:

- ASME A112.19.2 /CSA B45.1
- ASME A112.19.14
- ADA requirements of ICC/ANSI A117.1-2009  
Accessible and Usable Buildings and Facilities.



USA/CANADA: [www.nellabath.com](http://www.nellabath.com)